



MASON INDUSTRIES, Inc.
Manufacturers of Vibration Control Products

350 Rabro Drive
Hauppauge, NY 11788
631/348-0282
FAX 631/348-0279
Info@Mason-Ind.com
www.Mason-Ind.com

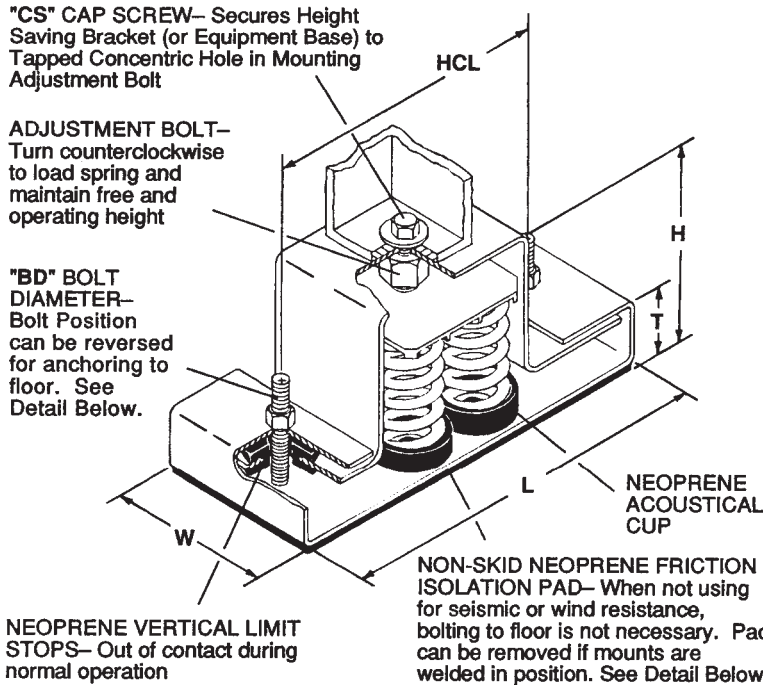
2101 W. Crescent Ave., Suite D
Anaheim, CA 92801
714/535-2727
FAX 714/535-5738
Info@MasonAnaheim.com
www.MasonAnaheim.com

**RESTRAINED
SINGLE AND MULTIPLE
SPRING MOUNTS**

TYPE
SLR

SLR-220 BULLETIN

**1" Deflection A SPRING SERIES
SLR SINGLE and MULTIPLE SPRING FORMED RESTRAINED MOUNTS**



SPRING DATA

Spring OD	Free HT.	Ratio Kx/Ky	Ratio OD/OH
13/4	3-33/8	0.50-0.90	0.74-1.25

TYPE SLR RATINGS

Size	Rated Capacity (lbs)	Rated Defl (in)	Mount Constant (lbs/in)	Spring Color	Seismic G Rating	MEFA (ft ²)
SLR-A-45 [†]	45	1.60	28	Blue	17.8	27
SLR-A-75 [†]	75	1.50	50	Orange	10.7	27
SLR-A-125 [†]	125	1.33	94	Brown	6.4	27
SLR-A-200 [†]	200	1.15	174	Black	4.0	27
SLR-A-310 [†]	310	1.00	310	Yellow	2.6	27
SLR-A-400 [†]	400	1.00	400	Green	2.0	27
SLR-A-510 [†]	510	1.00	510	Red	1.6	27
SLR-A-625 [†]	625	1.00	625	White	1.3	27
SLR-2A-620 [†]	620	1.00	620	Yellow	1.6	33
SLR-2A-800 [†]	800	1.00	800	Green	1.3	33
SLR-2A-1020 [†]	1020	1.00	1020	Red	1.0	33
SLR-2A-1250 [†]	1250	1.00	1250	White	0.8	33
SLR-4A-1240 [†]	1240	1.00	1240	Yellow	1.6	67
SLR-4A-1600 [†]	1600	1.00	1600	Green	1.3	67
SLR-4A-2040 [†]	2040	1.00	2040	Red	1.0	67
SLR-4A-2500 [†]	2500	1.00	2500	White	0.8	67

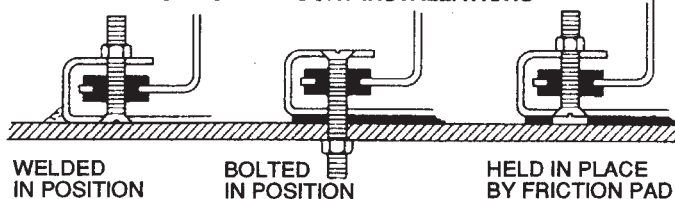
Illustration shows a 4 spring SLR-4A. SLR-A has 1 spring and SLR-2 has 2 springs.

Mounts are galvanized.

TYPE SLR DIMENSIONS (inches)

Size	H	L	T	W	BD	CS	HCL
SLR-A	5 1/8	8 3/4	1 5/8	2 1/2	3/8	3/8x1	6
SLR-2A	5 1/8	11 5/8	1 3/4	2 1/2	3/8	3/8x1	8 3/4
SLR-4A	5 1/8	11 1/8	1 3/4	4 1/2	1/2	1/2x1 1/4	8

OPTIONAL MOUNT INSTALLATIONS



[†]SLR-A, -2A & -4A have Calif. OSHPD Anchorage Preapproval Number R-0195.

All springs have additional travel to solid equal to 50% of the rated deflection.

Solid Spring Height = Free Height minus 1.5 times Rated Deflection.

Housing load ratings (expressed in max. G's and square feet of face area) are based on tests with bolted connections to steel top and bottom. SLR housings require uniform support under entire base plate. Tests were run with one bolt in top plate.

MEFA - Maximum Allowable Equipment Face Area per Mount (ft²) To determine safety of an installation in a 100 mph wind (30 psf) divide the largest face area by the total number of mountings. Installation is safe if AREA No. of MOUNTS ≤ MEFA.

Example: Tower Face = 6' x 10' = 60 Square Feet. Weight = 4,000 lbs Use: 4- SLR-2A-1020 MEFA = 33; Area/No. of Mounts = 60/4 = 15 < 33 Installation is safe in shear.

When towers are tall and narrow, overturning moments should be checked as well.

1" Deflection B & C SPRING SERIES SLR SINGLE and MULTIPLE SPRING WELDED RESTRAINED MOUNTS

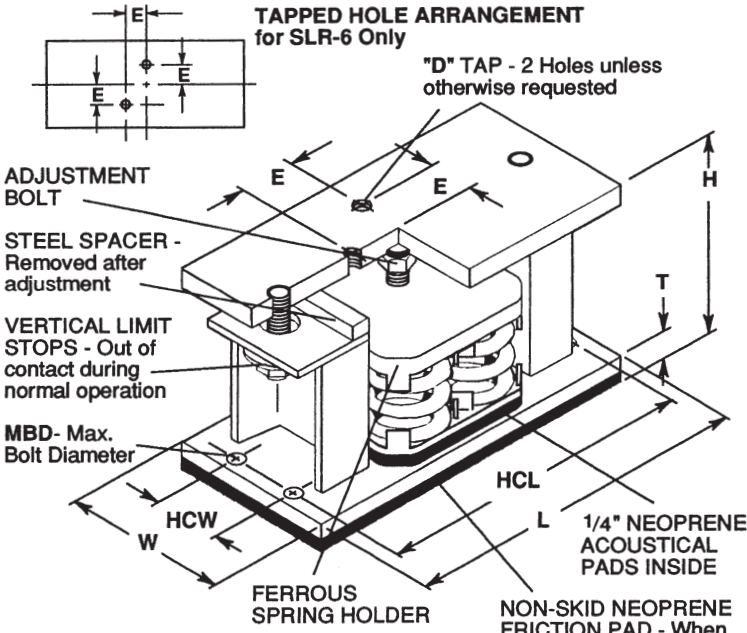


Illustration shows a 4 spring SLR-4. SLR-B & SLR-1 have 1 spring and SLR-2, SLR-6, SLR-9, SLR-12 & SLR-16 have 2, 6, 9, 12 & 16 springs respectively. SLR-1 and multiple spring mounts have C size springs.

SPRING DATA

Spring Size	Free OD	Free HT.	Ratio Kx/Ky	Ratio OD/OH
B	23/8	4	0.70-0.90	0.80-1.25
1-16	27/8	4 1/8	0.90-1.10	0.92

All springs have additional travel to solid equal to 50% of the rated deflection.

Solid Spring Height = Free Height minus 1.5 times Rated Deflection.

TYPE SLR DIMENSIONS (inches)

Size	D	E	L	W	H	T	MBD	HCW	HCL
SLR-B	5/8	13/8	10 1/4	4	7 1/2	1/2	5/8	2 3/4	9
SLR-1	5/8	13/8	10 1/4	4	7 1/2	1/2	5/8	2 3/4	9
SLR-2	5/8	13/8	15	4	7 1/2	5/8	5/8	2 3/4	13 3/4
SLR-4	5/8	13/8	13 1/2	6	7 1/2	1/2	5/8	2 3/4	12 1/4
SLR-6	3/4	13/4	17 3/4	6	8 3/8	5/8	3/4	3	15 3/4
SLR-9	3/4	13/4	16	9	8 3/8	5/8	3/4	3	14
SLR-12	3/4	13/4	19	9	9 3/4	3/4	3/4	3	17
SLR-16	3/4	13/4	23 1/2	13	9 3/4	3/4	3/4	3 1/2	21 1/2

TYPE SLR RATINGS

Size	Rated Capacity (lbs)	Rated Defl (in)	Mount Constant (lbs/in)	Spring Color/Stripe	Seismic G Rating	MEFA (ft²)
SLR-B-65†	65	2.10	31	Brown	39.2	85
SLR-B-85†	85	2.10	40	White/Black	30.0	85
SLR-B-115†	115	2.00	57	Silver	22.2	85
SLR-B-150†	150	2.00	75	Orange	17.0	85
SLR-B-280†	280	1.60	174	Green	9.1	85
SLR-B-450†	450	1.31	344	Red	5.7	85
SLR-B-750†	750	1.12	670	White	3.4	85
SLR-B-1000†	1000	1.00	1000	Blue	2.6	85
SLR-1-1000†	1000	1.00	1000	Black	2.6	85
SLR-1-1350†	1350	1.00	1350	Yellow	1.9	85
SLR-1-1750†	1750	1.00	1750	Black*	1.5	85
SLR-1-2100†	2100	1.00	2100	Yellow*	1.2	85
SLR-1-2385†	2385	1.00	2385	Yellow**	1.1	85
SLR-1-2650†	2650	1.00	2650	Red*	1.0	85
SLR-1-2935†	2935	1.00	2935	Red**	0.9	85
SLR-2-2700†	2700	1.00	2700	Yellow	1.1	102
SLR-2-3500†	3500	1.00	3500	Black*	0.9	102
SLR-2-4200†	4200	1.00	4200	Yellow*	0.7	102
SLR-2-4770†	4770	1.00	4770	Yellow**	0.6	102
SLR-4-5400†	5400	1.00	5400	Yellow	0.7	125
SLR-4-7000†	7000	1.00	7000	Black*	0.5	125
SLR-4-8400†	8400	1.00	8400	Yellow*	0.4	125
SLR-4-9540†	9540	1.00	9540	Yellow**	0.4	125
SLR-4-10600†	10600	1.00	10600	Red*	0.4	125
SLR-6-12600	12600	1.00	12600	Yellow*	0.5	294
SLR-6-14310	14310	1.00	14310	Yellow**	0.5	294
SLR-6-15900	15900	1.00	15900	Red*	0.4	294
SLR-6-17610	17610	1.00	17610	Red**	0.4	294
SLR-9-18900	18900	1.00	18900	Yellow*	0.6	400
SLR-9-21465	21465	1.00	21465	Yellow**	0.5	400
SLR-9-23850	23850	1.00	23850	Red*	0.5	400
SLR-12-25200	25200	1.00	25200	Yellow*	0.4	318
SLR-12-28620	28620	1.00	28620	Yellow**	0.3	318
SLR-12-31800	31800	1.00	31800	Red*	0.3	318
SLR-16-33600	33600	1.00	33600	Yellow*	0.2	254
SLR-16-38160	38160	1.00	38160	Yellow**	0.2	254

*with RED core spring **with GREEN core spring

†SLR-B, -1, -2 & -4 have Calif. OSHPD Anchorage Preapproval Number R-0194.

Housing load ratings (expressed in max. G's and square feet of face area) are based on tests with bolted connections to steel top and bottom. SLR housings require uniform support under entire base plate. Tests were run with one bolt in top plate.

MEFA - Maximum Allowable Equipment Face Area per Mount (ft²) To determine safety of an installation in a 100 mph wind (30 psf) divide the largest face area by the total number of mountings. Installation is safe if AREA No. of MOUNTS ≤ MEFA.

Example: Tower Face = 12' x 20' = 240 Square Feet. Weight = 10,000 lbs
Use: 4- SLR-1-2935 MEFA = 125; Area/No. of Mounts = 240/4 = 60 < 125 Installation is safe in shear.

When towers are tall and narrow, overturning moments should be checked as well.

**1" Deflection A SPRING SERIES
SLRW SINGLE and MULTIPLE SPRING FORMED RESTRAINED MOUNTS**

NOTE - Do not use for seismic or wind load applications.

ADJUSTMENT BOLT- Turn counterclockwise to load spring and maintain free and operating height

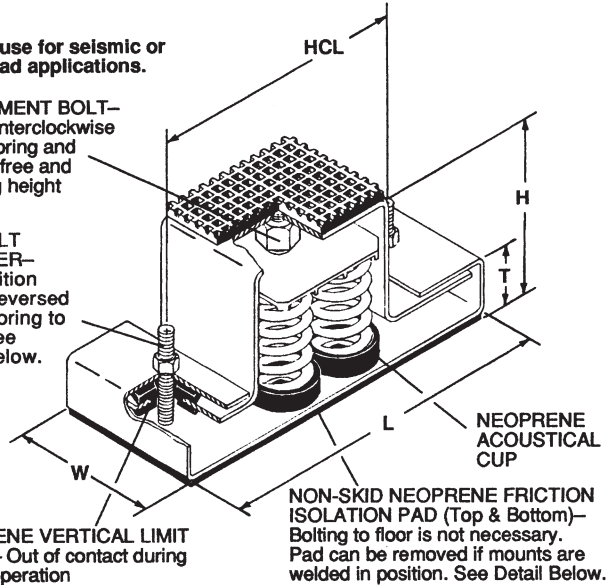
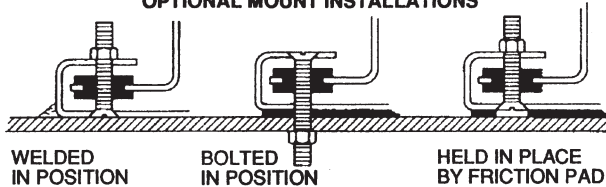
"BD" BOLT DIAMETER- Bolt Position can be reversed for anchoring to floor. See Detail Below.

NEOPRENE VERTICAL LIMIT STOPS- Out of contact during normal operation

Mounts are galvanized.

Illustration shows a 4 spring SLRW-4A. SLRW-A has 1 spring and SLRW-2 has 2 springs respectively.

OPTIONAL MOUNT INSTALLATIONS



SPRING DATA

Spring OD	Free HT.	Ratio Kx/Ky	Ratio OD/OH
1 3/4	3-3 3/8	0.50-0.90	0.74-1.25

TYPE SLRW RATINGS

Size	Rated Capacity (lbs)	Rated Defl (in)	Mount Constant (lbs/in)	Spring Color
SLRW-A-45	45	1.60	28	Blue
SLRW-A-75	75	1.50	50	Orange
SLRW-A-125	125	1.33	94	Brown
SLRW-A-200	200	1.15	174	Black
SLRW-A-310	310	1.00	310	Yellow
SLRW-A-400	400	1.00	400	Green
SLRW-A-510	510	1.00	510	Red
SLRW-A-625	625	1.00	625	White
SLRW-2A-620	620	1.00	620	Yellow
SLRW-2A-800	800	1.00	800	Green
SLRW-2A-1020	1020	1.00	1020	Red
SLRW-2A-1250	1250	1.00	1250	White
SLRW-4A-1240	1240	1.00	1240	Yellow
SLRW-4A-1600	1600	1.00	1600	Green
SLRW-4A-2040	2040	1.00	2040	Red
SLRW-4A-2500	2500	1.00	2500	White

TYPE SLRW DIMENSIONS BD- Bolt Diameter

Size	L	W	H	T	BD	HCL
SLRW-A	8 3/4	2 1/2	5 3/8	1 5/8	3/8	6
SLRW-2A	11 5/8	2 1/2	5 3/8	1 3/4	3/8	8 3/4
SLRW-4A	11 1/8	4 1/2	5 3/8	1 3/4	1/2	8

All springs have additional travel to solid equal to 50% of the rated deflection.

Solid Spring Height = Free Height minus 1.5 times Rated Deflection.

**1" Deflection B & C SPRING SERIES
SLRW SINGLE and MULTIPLE SPRING WELDED RESTRAINED MOUNTS**

NOTE - Do not use for seismic or wind load applications.

ADJUSTMENT BOLT

STEEL SPACER - Removed after adjustment

VERTICAL LIMIT STOPS - Out of contact during normal operation

MBD- Max. Bolt Diameter

SPRING DATA

Spring Size	Free OD	Free HT.	Ratio Kx/Ky	Ratio OD/OH
B	2 3/8	4	0.70-0.90	0.80-1.25
1-16	2 7/8	4 1/8	0.90-1.10	0.92

TYPE SLRW DIMENSIONS (inches)

Size	L	W	H	T	MBD	HCW	HCL
SLRW-B	10 1/4	4	7 3/4	1/2	5/8	2 3/4	9
SLRW-1	10 1/4	4	7 3/4	1/2	5/8	2 3/4	9
SLRW-2	15	4	7 3/4	5/8	5/8	2 3/4	13 3/4
SLRW-4	13 1/2	6	7 3/4	1/2	5/8	2 3/4	12 1/4
SLRW-6	17 3/4	6	8 5/8	5/8	3/4	3	15 3/4
SLRW-9	16	9	8 5/8	5/8	3/4	3	14
SLRW-12	19	9	10	3/4	3/4	3	17
SLRW-16	23 1/2	13	10	3/4	3/4	3 1/2	21 1/2

Illustration shows a 4 spring SLRW-4. SLRW-B & -1 have 1 spring; SLRW-2, -6, -9, -12 & -16 have 2, 6, 9, 12 and 16 springs respectively. SLRW-1 and multiple spring mounts have C size springs.

All springs have additional travel to solid equal to 50% of the rated deflection.

Solid Spring Height = Free Height minus 1.5 times Rated Deflection.

TYPE SLRW RATINGS

Size	Rated Capacity (lbs)	Rated Defl (in)	Mount Constant (lbs/in)	Spring Color/Stripe
SLRW-B-65	65	2.10	31	Brown
SLRW-B-85	85	2.10	40	White/Black
SLRW-B-115	115	2.00	57	Silver
SLRW-B-150	150	2.00	75	Orange
SLRW-B-280	280	1.60	174	Green
SLRW-B-450	450	1.31	344	Red
SLRW-B-750	750	1.12	670	White
SLRW-B-1000	1000	1.00	1000	Blue
SLRW-1-1000	1000	1.00	1000	Black
SLRW-1-1350	1350	1.00	1350	Yellow
SLRW-1-1750	1750	1.00	1750	Black*
SLRW-1-2100	2100	1.00	2100	Yellow**
SLRW-1-2385	2385	1.00	2385	Yellow**
SLRW-1-2650	2650	1.00	2650	Red*
SLRW-1-2935	2935	1.00	2935	Red**
SLRW-2-2700	2700	1.00	2700	Yellow
SLRW-2-3500	3500	1.00	3500	Black*
SLRW-2-4200	4200	1.00	4200	Yellow**
SLRW-2-4770	4770	1.00	4770	Yellow**
SLRW-4-5400	5400	1.00	5400	Yellow
SLRW-4-7000	7000	1.00	7000	Black*
SLRW-4-8400	8400	1.00	8400	Yellow**
SLRW-4-9540	9540	1.00	9540	Yellow**
SLRW-4-10600	10600	1.00	10600	Red*
SLRW-6-12600	12600	1.00	12600	Yellow*
SLRW-6-14310	14310	1.00	14310	Yellow**
SLRW-6-15900	15900	1.00	15900	Red*
SLRW-6-17610	17610	1.00	17610	Red**
SLRW-9-18900	18900	1.00	18900	Yellow*
SLRW-9-21465	21465	1.00	21465	Yellow**
SLRW-9-23850	23850	1.00	23850	Red*
SLRW-12-25200	25200	1.00	25200	Yellow*
SLRW-12-28620	28620	1.00	28620	Yellow**
SLRW-12-31800	31800	1.00	31800	Red*
SLRW-16-33600	33600	1.00	33600	Yellow*
SLRW-16-38160	38160	1.00	38160	Yellow**

*with RED core spring **with GREEN core spring

2" Deflection B, B2, C2 SPRING SERIES SLR SINGLE and MULTIPLE SPRING WELDED RESTRAINED MOUNTS

SLR-B2-450, B2-680, C2-880 thru C2-1870 & 2-C2-1760 thru 6-C2-11220 mounts have minimum 25% of rated deflection additional travel to solid. The last two columns in the ratings table show ratings at 50% additional travel.

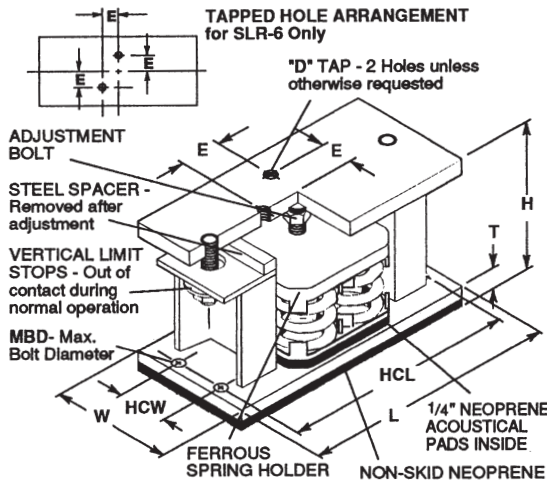


Illustration shows a 4 spring SLR-4-C2. SLR-B, -B2 & -C2 have 1 spring; SLR-2-C2 & 6-C2 have 2 and 6 springs respectively.

SPRING DATA

Spring Size	Free OD	Free HT.	Ratio Kx/Ky	Ratio OD/OH
B&B2	2 3/8	4 1/2	0.55-0.90	0.95-1.48
C2	2 7/8	5	0.63-0.85	0.96-1.15

Solid Spring Height = Free Height minus 1.5 times the rated deflection from the "50% additional travel to solid" column.

TYPE SLR DIMENSIONS (inches)

Size	D	E	H	L	T	W	HCL	HCW	MBD
SLR-B & B2	5/8	13/8	7 1/2	10 1/4	1/2	4	9	23/4	5/8
SLR-1-C2	5/8	13/8	7 1/2	10 1/4	1/2	4	9	23/4	5/8
SLR-2-C2	5/8	13/8	7 1/2	15	5/8	4	13 3/4	23/4	5/8
SLR-4-C2	5/8	13/8	7 1/2	13 1/2	1/2	6	12 1/4	23/4	5/8
SLR-6-C2	3/4	1 3/4	8 3/8	17 3/4	5/8	6	15 3/4	3	3/4

TYPE SLR RATINGS

Size	Standard Ratings					Ratings at 50% additional travel to solid		
	Rated Capacity (lbs)	Rated Defl (in)	Mount Constant (lbs/in)	Spring Color/Stripe	Seismic G Rating	MEFA (ft²)	Capacity (lbs)	Defl (in)
SLR-B-20†	20	2.40	8	Tan	127.5	85	20	2.40
SLR-B-26†	26	2.18	12	White/Blue	98.1	85	26	2.18
SLR-B-35†	35	2.20	16	Purple	72.9	85	35	2.20
SLR-B-50†	50	2.20	24	White/Red	51.0	85	50	2.20
SLR-B-65†	65	2.10	31	Brown	39.2	85	65	2.10
SLR-B-85†	85	2.10	40	White/Black	30.0	85	85	2.10
SLR-B-115†	115	2.00	57	Silver	22.2	85	115	2.00
SLR-B-150†	150	2.00	75	Orange	17.0	85	150	2.00
SLR-B2-210†	210	2.12	99	Silver	12.1	85	210	2.12
SLR-B2-290†	290	2.00	144	Blue	8.8	85	290	2.00
SLR-B2-450†	450	2.00	224	Tan	5.7	85	410	1.83
SLR-B2-680†	680	2.00	340	Gray	3.8	85	565	1.66
SLR-C2-125†	125	2.50	50	Purple	20.4	85	125	2.50
SLR-C2-170†	170	2.40	70	Brown	15.0	85	170	2.40
SLR-C2-210†	210	2.30	90	Red	12.1	85	210	2.30
SLR-C2-260†	260	2.20	120	White	9.8	85	260	2.20
SLR-C2-330†	330	2.00	165	Black	7.7	85	330	2.00
SLR-C2-460†	460	2.00	230	Blue	5.5	85	460	2.00
SLR-C2-610†	610	2.00	305	Green	4.2	85	610	2.00
SLR-C2-880†	880	2.00	440	Gray	2.9	85	800	1.82
SLR-C2-1210†	1210	2.00	605	Silver	2.1	85	1010	1.67
SLR-C2-1540†	1540	2.00	770	Gray*	1.7	85	1285	1.67
SLR-C2-1870†	1870	2.00	935	Silver*	1.4	85	1560	1.67
SLR-2-C2-340†	340	2.40	140	Brown	9.0	102	340	2.40
SLR-2-C2-420†	420	2.30	180	Red	7.3	102	420	2.30
SLR-2-C2-520†	520	2.20	240	White	5.9	102	520	2.20
SLR-2-C2-660†	660	2.00	330	Black	4.6	102	660	2.00
SLR-2-C2-920†	920	2.00	460	Blue	3.3	102	920	2.00
SLR-2-C2-1220†	1220	2.00	610	Green	2.5	102	1220	2.00
SLR-2-C2-1760†	1760	2.00	880	Gray	1.7	102	1600	1.82
SLR-2-C2-2420†	2420	2.00	1210	Silver	1.3	102	2020	1.67
SLR-2-C2-3080†	3080	2.00	1540	Gray*	1.0	102	2570	1.67
SLR-2-C2-3740†	3740	2.00	1870	Silver*	0.8	102	3120	1.67
SLR-4-C2-4840†	4840	2.00	2420	Silver	0.8	125	4040	1.67
SLR-4-C2-6160†	6160	2.00	3080	Gray*	0.6	125	5145	1.67
SLR-4-C2-7480†	7480	2.00	3740	Silver*	0.5	125	6245	1.67
SLR-6-C2-7260	7260	2.00	3630	Silver	0.9	225	6060	1.67
SLR-6-C2-9240	9240	2.00	4620	Gray*	0.5	225	7715	1.67
SLR-6-C2-11220	11220	2.00	5610	Silver*	0.6	225	9370	1.67

*SLR-B, -B2, -C2 & -4-C2 have CALIF. OSHPD Anchorage Preapproval Number R-0194.

2" Deflection B, B2, C2 SPRING SERIES SLRW SINGLE and MULTIPLE SPRING WELDED RESTRAINED MOUNTS

SLRW-B2-450, B2-680, C2-880 thru C2-1870 & 2-C2-1760 thru 6-C2-11220 mounts have minimum 25% of rated deflection additional travel to solid. The last two columns in the ratings table show ratings at 50% additional travel.

NOTE - Do not use for seismic or wind load applications.

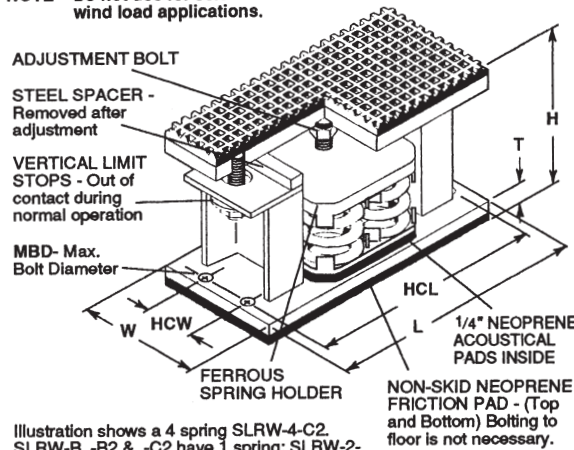


Illustration shows a 4 spring SLRW-4-C2. SLRW-B, -B2 & -C2 have 1 spring; SLRW-2-C2 & 6-C2 have 2 and 6 springs respectively.

SPRING DATA

Spring Size	Free OD	Free HT.	Ratio Kx/Ky	Ratio OD/OH
B&B2	2 3/8	4 1/2	0.55-0.90	0.95-1.48
C2	2 7/8	5	0.63-0.85	0.96-1.15

Solid Spring Height = Free Height minus 1.5 times the rated deflection from the "50% additional travel to solid" column.

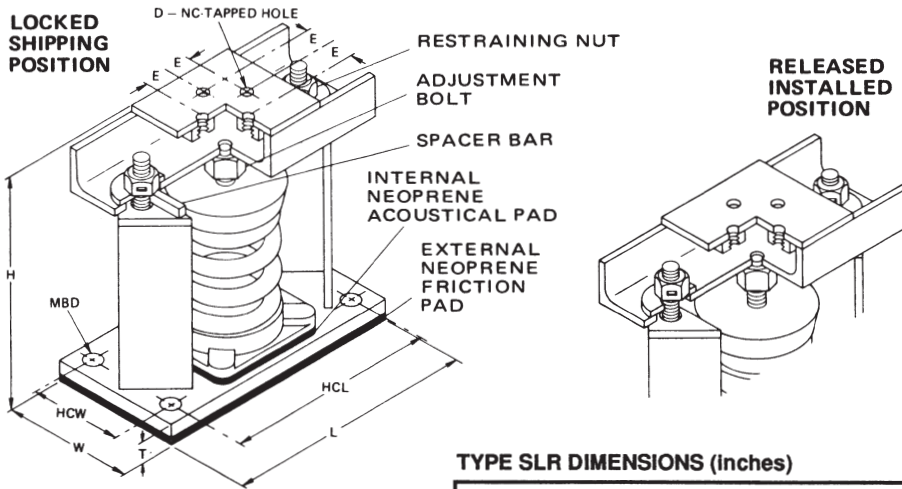
TYPE SLRW DIMENSIONS (inches)

Size	L	W	H	T	MBD	HCW	HCL
SLRW-B & B2	10 1/4	4	7 3/4	1/2	5/8	23/4	9
SLRW-1-C2	10 1/4	4	7 3/4	1/2	5/8	23/4	9
SLRW-2-C2	15	4	7 3/4	5/8	5/8	23/4	13 3/4
SLRW-4-C2	13 1/2	6	7 3/4	1/2	5/8	23/4	12 1/4
SLRW-6-C2	17 3/4	6	8 5/8	5/8	3/4	3	15 3/4

TYPE SLRW RATINGS

Size	Standard Ratings					Ratings at 50% additional travel to solid		
	Rated Capacity (lbs)	Rated Defl (in)	Mount Constant (lbs/in)	Spring Color/Stripe	Seismic G Rating	MEFA (ft²)	Capacity (lbs)	Defl (in)
SLRW-B-20	20	2.40	8	Tan	127.5	85	20	2.40
SLRW-B-26	26	2.18	12	White/Blue	98.1	85	26	2.18
SLRW-B-35	35	2.20	16	Purple	72.9	85	35	2.20
SLRW-B-50	50	2.20	24	White/Red	51.0	85	50	2.20
SLRW-B-65	65	2.10	31	Brown	39.2	85	65	2.10
SLRW-B-85	85	2.10	40	White/Black	30.0	85	85	2.10
SLRW-B-115	115	2.00	57	Silver	22.2	85	115	2.00
SLRW-B-150	150	2.00	75	Orange	17.0	85	150	2.00
SLRW-B2-210	210	2.12	99	Silver	12.1	85	210	2.12
SLRW-B2-290	290	2.00	144	Blue	8.8	85	290	2.00
SLRW-B2-450	450	2.00	224	Tan	5.7	85	410	1.83
SLRW-B2-680	680	2.00	340	Gray	3.8	85	565	1.66
SLRW-C2-125	125	2.50	50	Purple	20.4	85	125	2.50
SLRW-C2-170	170	2.40	70	Brown	15.0	85	170	2.40
SLRW-C2-210	210	2.30	90	Red	12.1	85	210	2.30
SLRW-C2-260	260	2.20	120	White	9.8	85	260	2.20
SLRW-C2-330	330	2.00	165	Black	7.7	85	330	2.00
SLRW-C2-460	460	2.00	230	Blue	5.5	85	460	2.00
SLRW-C2-610	610	2.00	305	Green	4.2	85	610	2.00
SLRW-C2-880	880	2.00	440	Gray	2.9	85	800	1.82
SLRW-C2-1210	1210	2.00	605	Silver	2.1	85	1010	1.67
SLRW-C2-1540	1540	2.00	770	Gray*	1.7	85	1285	1.67
SLRW-C2-1870	1870	2.00	935	Silver*	1.4	85	1560	1.67
SLRW-2-C2-340	340	2.40	140	Brown	9.0	102	340	2.40
SLRW-2-C2-420	420	2.30	180	Red	7.3	102	420	2.30
SLRW-2-C2-520	520	2.20	240	White	5.9	102	520	2.20
SLRW-2-C2-660	660	2.00	330	Black	4.6	102	660	2.00
SLRW-2-C2-920	920	2.00	460	Blue	3.3	102	920	2.00
SLRW-2-C2-1220	1220	2.00	610	Green	2.5	102	1220	2.00
SLRW-2-C2-1760	1760	2.00	880	Gray	1.7	102	1600	1.82
SLRW-2-C2-2420	2420	2.00	1210	Silver	1.3	102	2020	1.67
SLRW-2-C2-3080	3080	2.00	1540	Gray*	1.0	102	2570	1.67
SLRW-2-C2-3740	3740	2.00	1870	Silver*	0.8	102	3120	1.67
SLRW-4-C2-4840	4840	2.00	2420	Silver	0.8	125	4040	1.67
SLRW-4-C2-6160	6160	2.00	3080	Gray*	0.6	125	5145	1.67
SLRW-4-C2-7480	7480	2.00	3740	Silver*	0.5	125	6245	1.67
SLRW-6-C2-7260	7260	2.00	3630	Silver	0.9	225	6060	1.67
SLRW-6-C2-9240	9240	2.00	4620	Gray*	0.5	225	7715	1.67
SLRW-6-C2-11220	11220	2.00	5610	Silver*	0.6	225	9370	1.67

**2" Deflection 100 SPRING SERIES
SLR SINGLE SPRING WELDED RESTRAINED MOUNTS**



TYPE SLR RATINGS

Size	Rated Capacity (lbs)	Rated Defl (in)	Mount Constant (lbs/in)	Max G Ratings
101	125	2.50	50	5.6
102	200	2.50	80	3.5
103	310	2.50	125	2.3
104	500	2.50	200	1.4
105	740	2.40	310	0.9
106	1050	2.10	500	0.7
107	1400	2.00	700	0.5
108	1660	2.05	810	1.0
109	2250	2.00	1125	0.7
110	3000	2.00	1500	1.3
111	4000	2.00	2000	1.0
112	5300	2.00	2665	0.6
113	7100	2.00	3550	0.5
114	9300	2.00	4650	0.5
115	12600	2.00	6300	0.4

SLR-101 thru -115 have Calif. OSHPD Anchorage Preapproval Number R-0204 pending.

TYPE SLR DIMENSIONS (Inches)

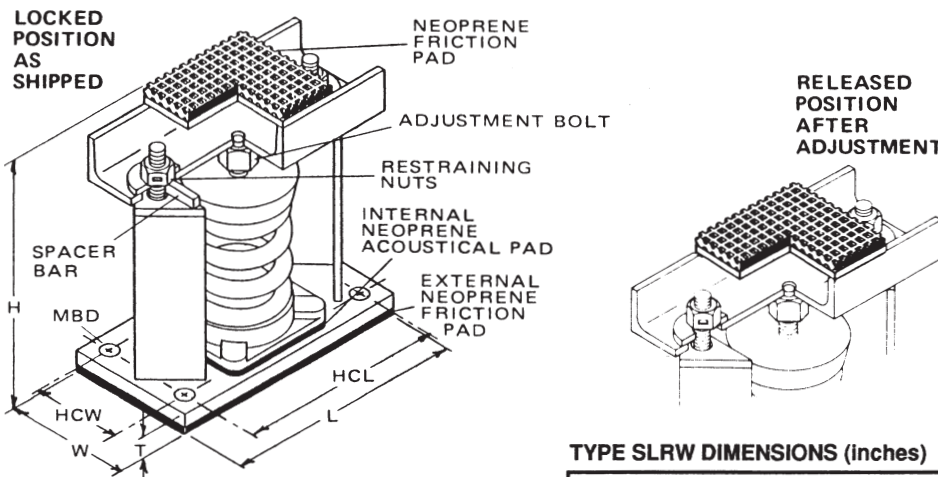
Size	L	W	H	T	MBD	HCW	HCL	D	E	Spring		Spring Color/Stripe
										OD	HT	
101	9	4 1/2	10 1/4	3/8	1/2	3 1/4	7 3/4	1/2	1 1/8	3 3/4	5 3/4	Purple
102	9	4 1/2	10 1/4	3/8	1/2	3 1/4	7 3/4	1/2	1 1/8	3 3/4	5 3/4	Brown
103	9	4 1/2	10 1/4	3/8	1/2	3 1/4	7 3/4	1/2	1 1/8	3 3/4	5 3/4	Pink
104	9	4 1/2	10 1/4	3/8	1/2	3 1/4	7 3/4	1/2	1 1/8	3 3/4	5 3/4	Green
105	9	4 1/2	10 1/4	3/8	1/2	3 1/4	7 3/4	1/2	1 1/8	3 3/4	5 3/4	Red
106	9	4 1/2	10 1/4	3/8	1/2	3 1/4	7 3/4	1/2	1 1/8	3 3/4	5 7/8	White
107	9	4 1/2	10 1/4	3/8	1/2	3 1/4	7 3/4	1/2	1 1/8	3 3/4	5 7/8	Blue
108	9 3/4	5	11 1/2	3/8	1/2	3 3/4	8 1/4	5/8	1 1/8	4 1/2	6 3/4	Silver
109	9 3/4	5	11 1/2	3/8	1/2	3 3/4	8 1/4	5/8	1 1/8	4 1/2	7 1/2	Orange
110	11 1/2	5 1/2	12	1/2	1/2	3 1/2	10	5/8	1 1/8	5	7 1/2	Gray
111	11 1/2	5 1/2	12	1/2	1/2	3 1/2	10	5/8	1 1/8	5	7 1/2	Tan
112	11 1/2	7	13 7/8	1/2	5/8	4 1/2	9 1/2	5/8	1 1/4	5 1/2	8 1/2	Black
113	11 1/2	7	13 7/8	1/2	5/8	4 1/2	9 1/2	5/8	1 1/4	6	8 3/4	Yellow
114	14	8	15	1/2	5/8	4 1/2	11 3/4	3/4	1 3/8	6 3/4	10	Blue/Orange
115	14	8	15	1/2	5/8	4 1/2	11 3/4	3/4	1 3/8	6 3/4	10	Blue/Red

All springs have additional travel to solid equal to 50% of the rated deflection.

Solid Spring Height = Free Height minus 1.5 times Rated Deflection.

OD/OH = Ratio of Spring Outside Diameter to Operating Height = 0.82 - 1.15

**2" Deflection 100 SPRING SERIES
SLRW SINGLE SPRING WELDED RESTRAINED MOUNTS**



TYPE SLRW RATINGS

Size	Rated Capacity (lbs)	Rated Defl (in)	Mount Constant (lbs/in)
101	125	2.50	50
102	200	2.50	80
103	310	2.50	125
104	500	2.50	200
105	740	2.40	310
106	1050	2.10	500
107	1400	2.00	700
108	1660	2.05	810
109	2250	2.00	1125
110	3000	2.00	1500
111	4000	2.00	2000
112	5300	2.00	2665
113	7100	2.00	3550
114	9300	2.00	4650
115	12600	2.00	6300

TYPE SLRW DIMENSIONS (Inches)

Size	L	W	H	T	MBD	HCW	HCL	Spring		Spring Color/Stripe
								OD	HT	
101	9	4 1/2	10 1/2	3/8	1/2	3 1/4	7 3/4	3 3/4	5 3/4	Purple
102	9	4 1/2	10 1/2	3/8	1/2	3 1/4	7 3/4	3 3/4	5 3/4	Brown
103	9	4 1/2	10 1/2	3/8	1/2	3 1/4	7 3/4	3 3/4	5 3/4	Pink
104	9	4 1/2	10 1/2	3/8	1/2	3 1/4	7 3/4	3 3/4	5 3/4	Green
105	9	4 1/2	10 1/2	3/8	1/2	3 1/4	7 3/4	3 3/4	5 3/4	Red
106	9	4 1/2	10 1/2	3/8	1/2	3 1/4	7 3/4	3 3/4	5 7/8	White
107	9	4 1/2	10 1/2	3/8	1/2	3 1/4	7 3/4	3 3/4	5 7/8	Blue
108	9 3/4	5	11 3/4	3/8	1/2	3 3/4	8 1/4	4 1/2	6 3/4	Silver
109	9 3/4	5	11 3/4	3/8	1/2	3 3/4	8 1/4	4 1/2	7 1/2	Orange
110	11 1/2	5 1/2	12 1/4	1/2	1/2	3 1/2	10	5	7 1/2	Gray
111	11 1/2	5 1/2	12 1/4	1/2	1/2	3 1/2	10	5	7 1/2	Tan
112	11 1/2	7	14 1/8	1/2	5/8	4 1/2	9 1/2	5 1/2	8 1/2	Black
113	11 1/2	7	14 1/8	1/2	5/8	4 1/2	9 1/2	6	8 3/4	Yellow
114	14	8	15 1/4	1/2	5/8	4 1/2	11 3/4	6 3/4	10	Blue/Orange
115	14	8	15 1/4	1/2	5/8	4 1/2	11 3/4	6 3/4	10	Blue/Red

NOTE- SLRW Mounts are not to be used in seismic or wind load applications.

All springs have additional travel to solid equal to 50% of the rated deflection.

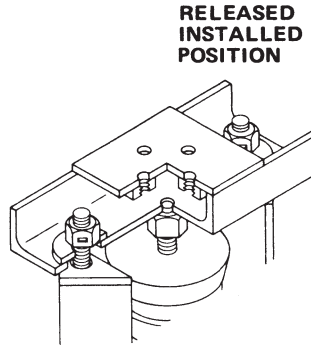
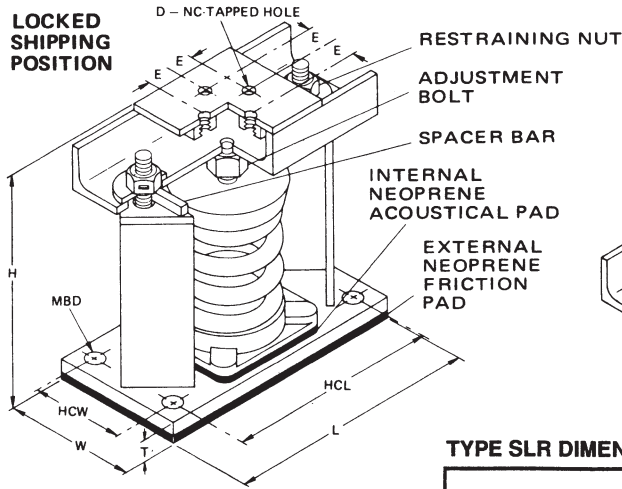
Solid Spring Height = Free Height minus 1.5 times Rated Deflection.

OD/OH = Ratio of Spring Outside Diameter to Operating Height = 0.82 - 1.15

3" Deflection 100 SPRING SERIES SLR SINGLE SPRING WELDED RESTRAINED MOUNTS

TYPE SLR RATINGS

Size	Rated Capacity (lbs)	Rated Defl (in)	Mount Constant (lbs/in)	Max G Ratings
126	195	3.25	60	3.6
127	280	3.25	85	2.5
128	390	3.25	120	1.8
129	520	3.25	160	3.1
130	710	3.25	220	2.3
131	940	3.25	290	1.7
132	1280	3.25	395	3.1
133	1770	3.25	545	1.8
134	2490	3.25	765	1.3
135	3300	3.25	1000	1.0
136	4500	3.25	1370	1.1
137	6200	3.25	1900	1.1
138	8300	3.25	2560	0.8
139	11400	3.25	3500	0.4
140	15200	3.25	4685	0.5
141	20300	3.25	6245	0.5



SLR-126 thru -141 have Calif. OSHPD Anchorage Preapproval Number R-0205 pending.

TYPE SLR DIMENSIONS (Inches)

Size	L	W	H	T	MBD	HCW	HCL	D	E	Spring		Spring Color/Stripe
										OD	HT	
126	9	4 1/2	10 1/4	3/8	1/2	3 1/4	7 3/4	1/2	1 1/8	3 3/4	6 3/8	Purple
127	9	4 1/2	10 1/4	3/8	1/2	3 1/4	7 3/4	1/2	1 1/8	3 3/4	6 1/2	Brown
128	9	4 1/2	10 1/4	3/8	1/2	3 1/4	7 3/4	1/2	1 1/8	4	6 1/2	Orange
129	9 3/4	5	11 1/2	3/8	1/2	3 3/4	8 1/4	5/8	1 1/8	4	7	Green
130	9 3/4	5	11 1/2	3/8	1/2	3 3/4	8 1/4	5/8	1 1/8	4 1/2	7 1/4	Red
131	9 3/4	5	11 1/2	3/8	1/2	3 3/4	8 1/4	5/8	1 1/8	4 1/2	7 1/2	White
132	11 1/2	5 1/2	12	1/2	1/2	3 1/2	10	5/8	1 1/8	5	7 7/8	Blue
133	11 1/2	7	13 7/8	1/2	5/8	4 1/2	9 1/2	5/8	1 1/4	5 1/2	9 1/4	Black
134	11 1/2	7	13 7/8	1/2	5/8	4 1/2	9 1/2	5/8	1 1/4	5 1/2	9 1/4	Yellow
135	11 1/2	7	13 7/8	1/2	5/8	4 1/2	9 1/2	5/8	1 1/4	6	9 1/2	Gray
136	14	8	15	1/2	5/8	4 1/2	11 3/4	3/4	1 3/8	6 3/4	9 3/4	Blue/Brown
137	15 1/4	9	15 7/8	1/2	3/4	6	13	7/8	1 5/8	7 3/4	10 7/8	Blue/Orange
138	15 1/4	9	15 7/8	1/2	3/4	6	13	7/8	1 5/8	7 3/4	11	Blue/Red
139	15 1/4	9	17 1/8	1/2	3/4	6	13	7/8	1 5/8	7 3/4	12 1/4	Blue/White
140	17 3/4	10	20	1/2	7/8	7	15	1	2	8 3/4	12 3/4	Blue/Silver
141	20 1/4	10	21	5/8	1	8	17	1	2	9 1/2	13 1/2	Blue/Gray

All springs have additional travel to solid equal to 50% of the rated deflection.

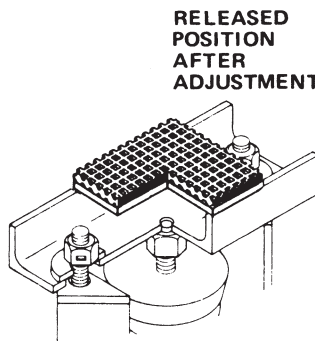
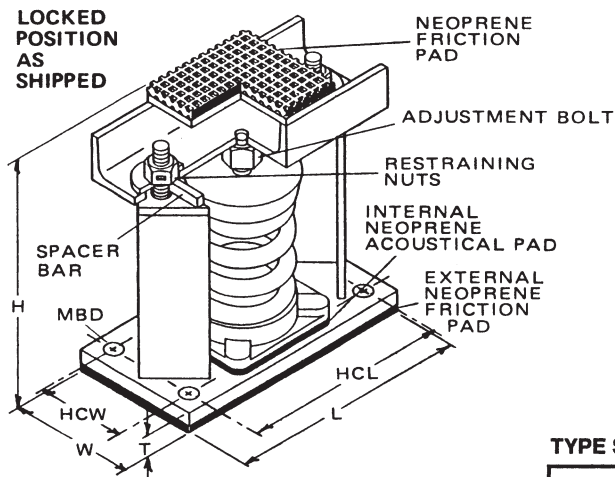
Solid Spring Height = Free Height minus 1.5 times Rated Deflection.

OD/OH = Ratio of Spring Outside Diameter to Operating Height = 0.86 - 1.36

3" Deflection 100 SPRING SERIES SLRW SINGLE SPRING WELDED RESTRAINED MOUNTS

TYPE SLRW RATINGS

Size	Rated Capacity (lbs)	Rated Defl (in)	Mount Constant (lbs/in)
126	195	3.25	60
127	280	3.25	85
128	390	3.25	120
129	520	3.25	160
130	710	3.25	220
131	940	3.25	290
132	1280	3.25	395
133	1770	3.25	545
134	2490	3.25	765
135	3300	3.25	1000
136	4500	3.25	1370
137	6200	3.25	1900
138	8300	3.25	2560
139	11400	3.25	3500
140	15200	3.25	4685
141	20300	3.25	6245



TYPE SLRW DIMENSIONS (Inches)

Size	L	W	H	T	MBD	HCW	HCL	Spring		Spring Color/Stripe
								OD	HT	
126	9	4 1/2	10 1/2	3/8	1/2	3 1/4	7 3/4	3 3/4	6 3/8	Purple
127	9	4 1/2	10 1/2	3/8	1/2	3 1/4	7 3/4	3 3/4	6 1/2	Brown
128	9	4 1/2	10 1/2	3/8	1/2	3 1/4	7 3/4	4	6 1/2	Orange
129	9 3/4	5	11 3/4	3/8	1/2	3 3/4	8 1/4	4	7	Green
130	9 3/4	5	11 3/4	3/8	1/2	3 3/4	8 1/4	4 1/2	7 1/4	Red
131	9 3/4	5	11 3/4	3/8	1/2	3 3/4	8 1/4	4 1/2	7 1/2	White
132	11 1/2	5 1/2	12 1/4	1/2	1/2	3 1/2	10	5	7 7/8	Blue
133	11 1/2	7	14 1/8	1/2	5/8	4 1/2	9 1/2	5 1/2	9 1/4	Black
134	11 1/2	7	14 1/8	1/2	5/8	4 1/2	9 1/2	5 1/2	9 1/4	Yellow
135	11 1/2	7	14 1/8	1/2	5/8	4 1/2	9 1/2	6	9 1/2	Gray
136	14	8	15 1/4	1/2	5/8	4 1/2	11 3/4	6 3/4	9 3/4	Blue/Brown
137	15 1/4	9	16 1/8	1/2	3/4	6	13	7 3/4	10 7/8	Blue/Orange
138	15 1/4	9	16 1/8	1/2	3/4	6	13	7 3/4	11	Blue/Red
139	15 1/4	9	17 3/8	1/2	3/4	6	13	7 3/4	12 1/4	Blue/White
140	17 3/4	10	20 1/4	1/2	7/8	7	15	8 3/4	12 3/4	Blue/Silver
141	20 1/4	10	21 1/4	5/8	1	8	17	9 1/2	13 1/2	Blue/Gray

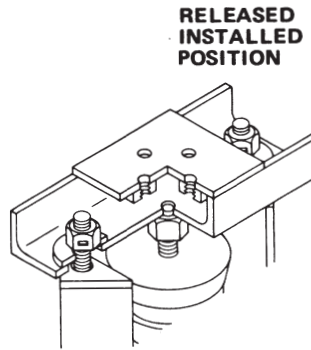
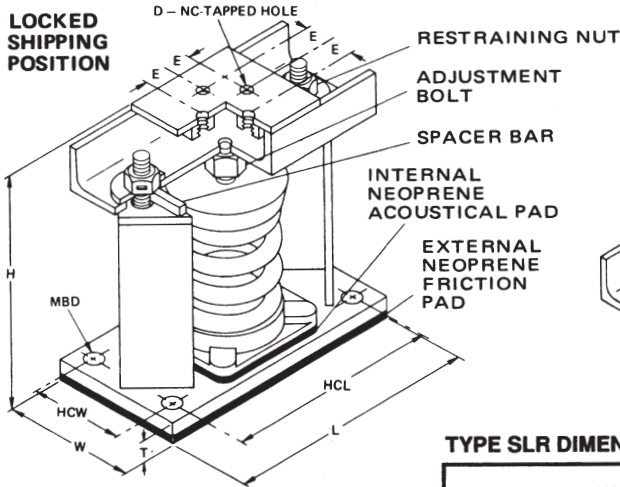
NOTE- SLRW Mounts are not to be used in seismic or wind load applications.

All springs have additional travel to solid equal to 50% of the rated deflection.

Solid Spring Height = Free Height minus 1.5 times Rated Deflection.

OD/OH = Ratio of Spring Outside Diameter to Operating Height = 0.86 - 1.36

**4" Deflection 100 SPRING SERIES
SLR SINGLE SPRING WELDED RESTRAINED MOUNTS**



TYPE SLR RATINGS

Size	Rated Capacity (lbs)	Rated Defl (in)	Mount Constant (lbs/in)	Max G Ratings
150	240	4.38	55	16.7
151	330	4.38	75	12.1
152	420	4.38	95	9.5
153	530	4.38	120	7.5
154	680	4.38	155	4.7
155	880	4.38	200	3.6
156	1120	4.38	255	4.5
157	1420	4.38	325	3.5
158	1840	4.38	420	2.7
159	2370	4.38	540	3.0
160	3000	4.38	695	1.7
161	3900	4.38	895	1.3
162	5100	4.38	1155	1.6
163	6500	4.38	1485	1.2
164	8400	4.38	1910	1.0
165	10800	4.38	2455	1.0

SLR-150 thru -165 have Calif. OSHPD Anchorage Preapproval Number R-0206 pending.

TYPE SLR DIMENSIONS (Inches)

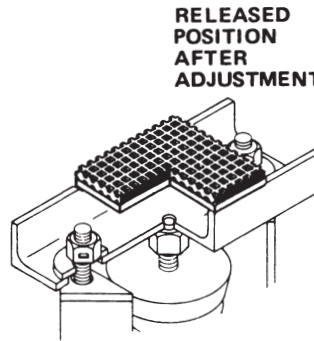
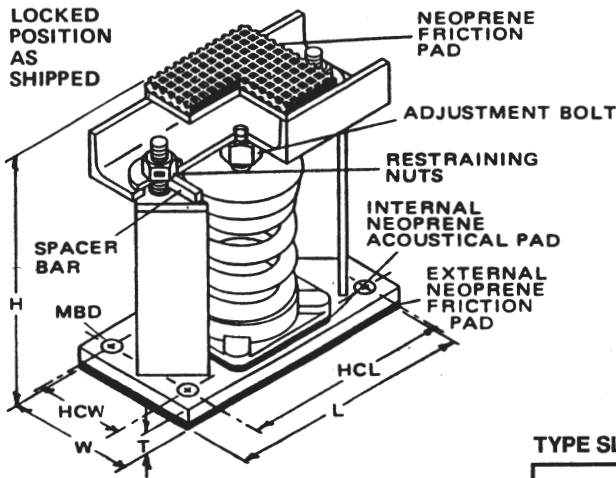
Size	L	W	H	T	MBD	HCW	HCL	D	E	Spring		Spring Color/Stripe
										OD	HT	
150	11 1/2	5 1/2	12	1/2	1/2	3 1/2	10	5/8	11/8	5	8 3/8	Purple
151	11 1/2	5 1/2	12	1/2	1/2	3 1/2	10	5/8	11/8	5	8 1/2	Brown
152	11 1/2	5 1/2	12	1/2	1/2	3 1/2	10	5/8	11/8	5	8 3/8	Orange
153	11 1/2	5 1/2	12	1/2	1/2	3 1/2	10	5/8	11/8	5	8 3/8	Green
154	11 1/2	7	13 7/8	1/2	5/8	4 1/2	9 1/2	5/8	1 1/4	6	8 7/8	Red
155	11 1/2	7	13 7/8	1/2	5/8	4 1/2	9 1/2	5/8	1 1/4	6	9 1/8	White
156	14	8	15	1/2	5/8	4 1/2	11 3/4	3/4	13/8	6	9 7/8	Blue
157	14	8	15	1/2	5/8	4 1/2	11 3/4	3/4	13/8	6	10	Black
158	14	8	15	1/2	5/8	4 1/2	11 3/4	3/4	13/8	6 3/4	10 3/8	Yellow
159	15 1/4	9	15 7/8	1/2	3/4	6	13	7/8	15/8	6 3/4	11 1/8	Gray
160	15 1/4	9	17 1/8	1/2	3/4	6	13	7/8	15/8	7 3/4	10 7/8	Blue/Brown
161	15 1/4	9	17 1/8	1/2	3/4	6	13	7/8	15/8	7 3/4	11 3/8	Blue/Orange
162	17 3/4	10	20	1/2	7/8	7	15	1	2	8 3/4	11 1/2	Blue/Red
163	17 3/4	10	20	1/2	7/8	7	15	1	2	8 3/4	13 1/4	Blue/White
164	17 3/4	10	20	1/2	7/8	7	15	1	2	8 3/4	13 3/8	Blue/Silver

All springs have additional travel to solid equal to 50% of the rated deflection.

Solid Spring Height = Free Height minus 1.5 times Rated Deflection.

OD/OH = Ratio of Spring Outside Diameter to Operating Height = 0.96 - 1.33

**4" Deflection 100 SPRING SERIES
SLRW SINGLE SPRING WELDED RESTRAINED MOUNTS**



TYPE SLRW RATINGS

Size	Rated Capacity (lbs)	Rated Defl (in)	Mount Constant (lbs/in)
150	240	4.38	55
151	330	4.38	75
152	420	4.38	95
153	530	4.38	120
154	680	4.38	155
155	880	4.38	200
156	1120	4.38	255
157	1420	4.38	325
158	1840	4.38	420
159	2370	4.38	540
160	3000	4.38	695
161	3900	4.38	895
162	5100	4.38	1155
163	6500	4.38	1485
164	8400	4.38	1910
165	10800	4.38	2455

TYPE SLRW DIMENSIONS (Inches)

Size	L	W	H	T	MBD	HCW	HCL	Spring		Spring Color/Stripe
								OD	HT	
150	11 1/2	5 1/2	12 1/4	1/2	1/2	3 1/2	10	5	8 3/8	Purple
151	11 1/2	5 1/2	12 1/4	1/2	1/2	3 1/2	10	5	8 1/2	Brown
152	11 1/2	5 1/2	12 1/4	1/2	1/2	3 1/2	10	5	8 3/8	Orange
153	11 1/2	5 1/2	12 1/4	1/2	1/2	3 1/2	10	5	8 3/8	Green
154	11 1/2	7	14 1/8	1/2	5/8	4 1/2	9 1/2	6	8 7/8	Red
155	11 1/2	7	14 1/8	1/2	5/8	4 1/2	9 1/2	6	9 1/8	White
156	14	8	15 1/4	1/2	5/8	4 1/2	11 3/4	6	9 7/8	Blue
157	14	8	15 1/4	1/2	5/8	4 1/2	11 3/4	6	10	Black
158	14	8	15 1/4	1/2	5/8	4 1/2	11 3/4	6 3/4	10 3/8	Yellow
159	15 1/4	9	16 1/8	1/2	3/4	6	13	6 3/4	11 1/8	Gray
160	15 1/4	9	17 3/8	1/2	3/4	6	13	7 3/4	10 7/8	Blue/Brown
161	15 1/4	9	17 3/8	1/2	3/4	6	13	7 3/4	11 3/8	Blue/Orange
162	17 3/4	10	20 1/4	1/2	7/8	7	15	8 3/4	11 1/2	Blue/Red
163	17 3/4	10	20 1/4	1/2	7/8	7	15	8 3/4	13 1/4	Blue/White
164	17 3/4	10	20 1/4	1/2	7/8	7	15	8 3/4	13 3/8	Blue/Silver

NOTE- SLRW Mounts are not to be used in seismic or wind load applications.

All springs have additional travel to solid equal to 50% of the rated deflection.

Solid Spring Height = Free Height minus 1.5 times Rated Deflection.

OD/OH = Ratio of Spring Outside Diameter to Operating Height = 0.96 - 1.33

SLR & SLRW are also manufactured with 5" Deflection springs. Designs may vary from application to application. The following table provides ratings for a range of standard capacities. Please check with the factory for designs and dimensions.

Type SLR Ratings For 5" Deflection 100 Series Spring Mounts

Type	Size	Rated Capacity (lbs)	Rated Defl (in)	Mount Constant (lbs/in)	Color/Stripe	SPRING ONLY	
						OD	Free Height
5" Defl. SLR-	174	270	5.31	48	Purple	6	97/8
	175	320	5.31	58	Brown	6	10 1/16
	176	370	5.31	70	Orange	6	10
	177	460	5.38	85	Green	6	10 1/2
	178	560	5.38	104	Red	6	10 3/4
	179	670	5.38	126	White	6 3/4	11 1/16
	180	830	5.38	153	Blue	6 3/4	11 3/8
	181	1000	5.38	187	Black	6 3/4	11 1/8
	182	1240	5.37	229	Yellow	6 3/4	11 3/8
	183	1500	5.37	279	Gray	7 3/4	12 7/16
	184	1830	5.37	340	Pink	7 3/4	11 7/8
	185	2230	5.37	415	Silver	7 3/4	12
	186	2710	5.37	505	Tan	7 3/4	12 3/4
	187	3300	5.37	617	Blue/Orange	8 3/4	12 3/4
	188	4100	5.37	753	Blue/Red	8 3/4	13 3/8
	189	4900	5.37	916	Blue/White	9 1/16	13 7/16
	190	6000	5.37	1120	Blue/Yellow	9 1/2	14 5/8
	191	7300	5.37	1367	Blue/Silver	9 1/2	15 3/16
	192	9000	5.37	1670	Blue/Gray	10 1/4	15 5/8
	193	11000	5.37	2040	Blue/Tan	10 1/4	16
194	13300	5.37	2482	Blue/Brown	11	16 1/4	
195	16300	5.37	3028	Blue/Pink	11 3/8	17 1/8	
196	19800	5.37	3694	Blue/Black	11 5/8	18	
197	24200	5.37	4506	Blue/Green	13	19 1/2	
198	29000	5.27	5500	Blue/Purple	13	19 1/8	

All springs have additional travel to solid equal to 50% of the rated deflection.

Solid Spring Height = Free Height minus 1.5 times Rated Deflection.

OD/OH = Ratio of Spring Outside Diameter to Operating Height = 0.92 - 1.31

