

MASON

LDS RUBBER SOUND ISOLATION SYSTEM

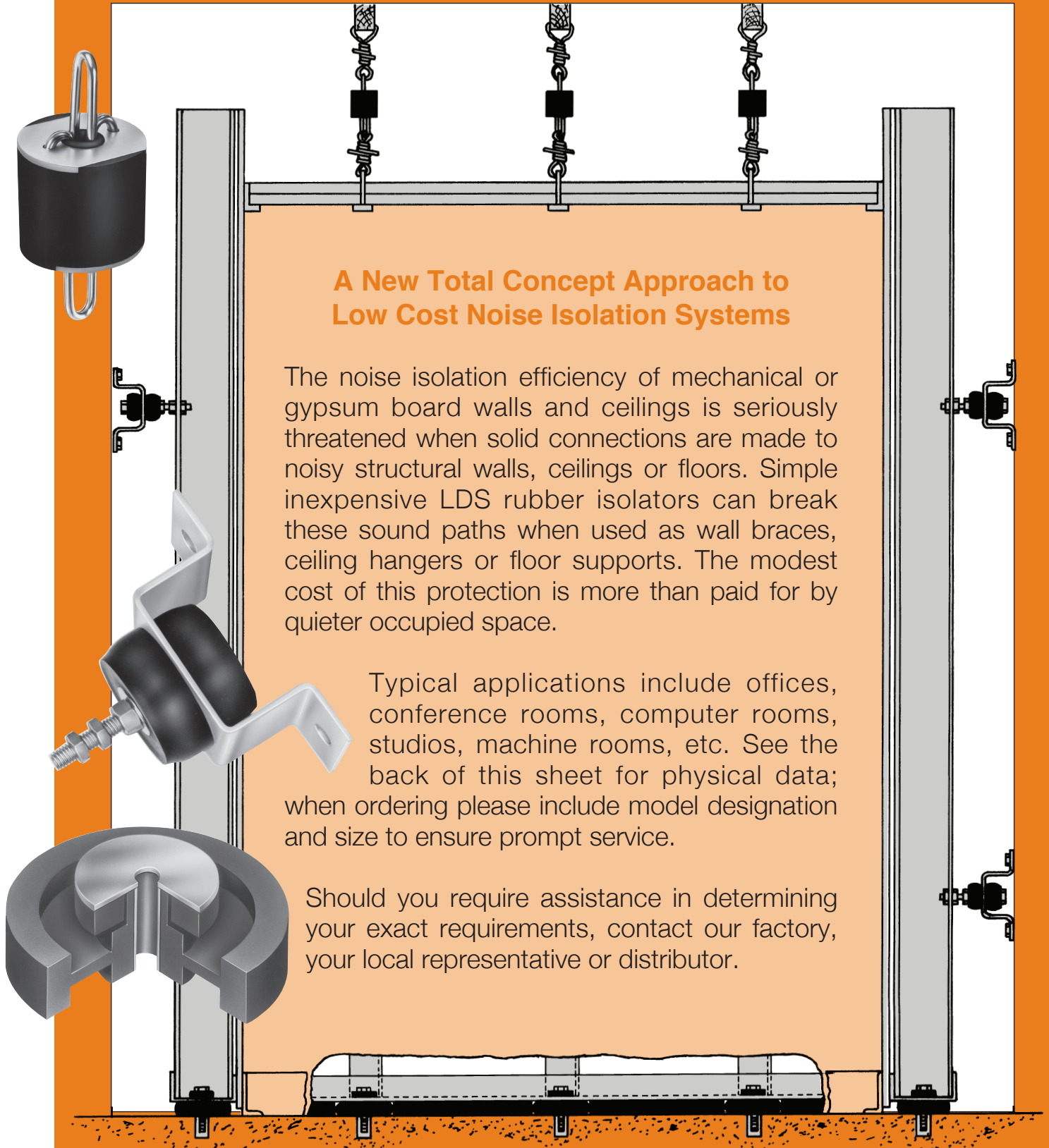
for Ceilings & Walls

A New Total Concept Approach to Low Cost Noise Isolation Systems

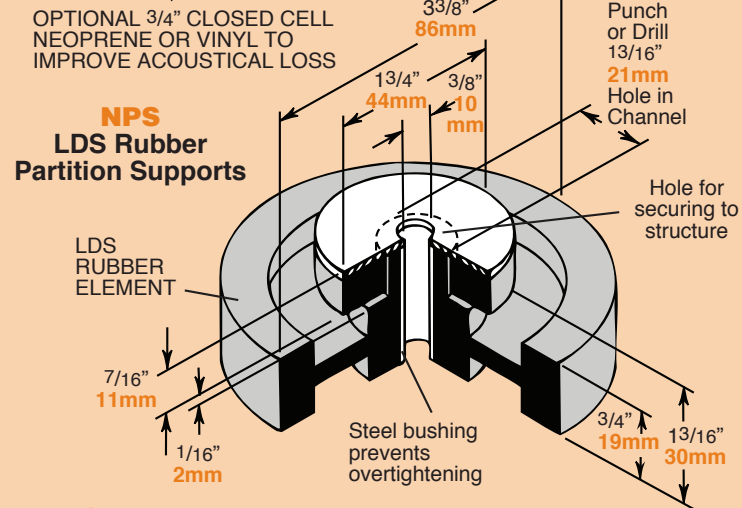
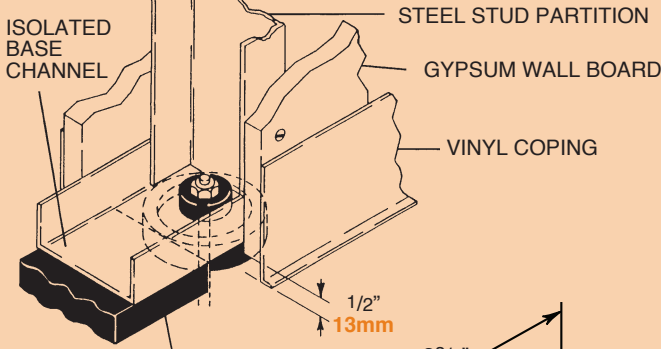
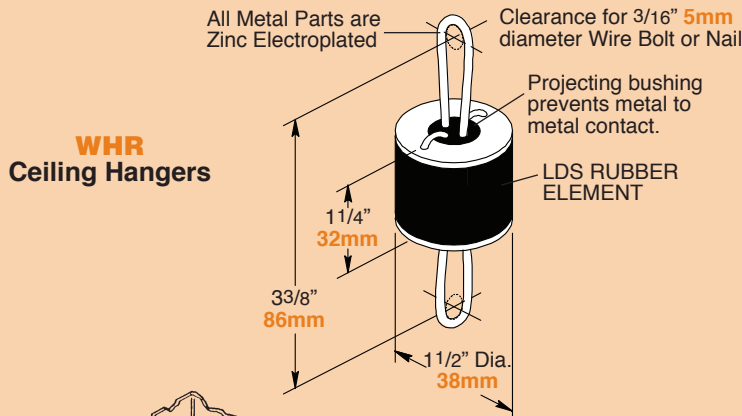
The noise isolation efficiency of mechanical or gypsum board walls and ceilings is seriously threatened when solid connections are made to noisy structural walls, ceilings or floors. Simple inexpensive LDS rubber isolators can break these sound paths when used as wall braces, ceiling hangers or floor supports. The modest cost of this protection is more than paid for by quieter occupied space.

Typical applications include offices, conference rooms, computer rooms, studios, machine rooms, etc. See the back of this sheet for physical data; when ordering please include model designation and size to ensure prompt service.

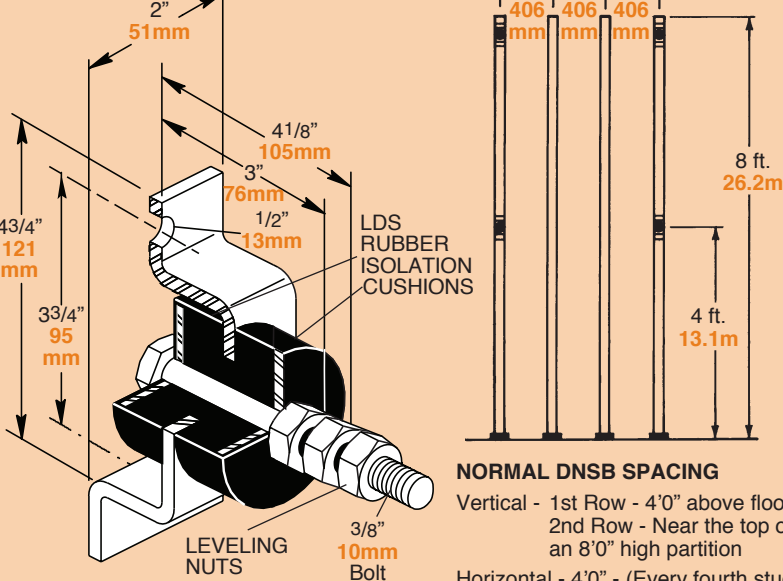
Should you require assistance in determining your exact requirements, contact our factory, your local representative or distributor.



WHR Ceiling Hangers



DNBSB Wall Braces



WHR CEILING HANGERS

WHR LOAD RATINGS

WHR Size	Durometer	Color Code	RATED LOAD		Max Static Defl	
			lbs.	kilos	in	mm
40	40	Green	Up to 60	27	0.2	5.0
50	50	Red	55-95	25-43	0.2	5.0
60	60	White	90-155	41-70	0.2	5.0
70	70	Yellow	150-220	68-100	0.2	5.0

WHR Selection Guide - Typical Application

Hangers Located on 48" 1200mm Centers

WHR Size	Construction	Approximate Wt.	
		Sq. Ft.	Sq. Meter
40	1" 25mm Ceiling Tile	2.5 lbs	12 Kilos
50	2 Layers 1/2" 13mm Gypsum Board	4.5 lbs	22 Kilos
60	2 Layers 5/8" 16mm Gypsum Board	5.6 lbs	27 Kilos
60	2 Layers 3/4" 19mm Gypsum Board	6.8 lbs	33 Kilos
70	Plaster & Lath	10.0 lbs	49 Kilos

NPS LDS RUBBER PARTITION SUPPORTS

NPS LOAD RATINGS

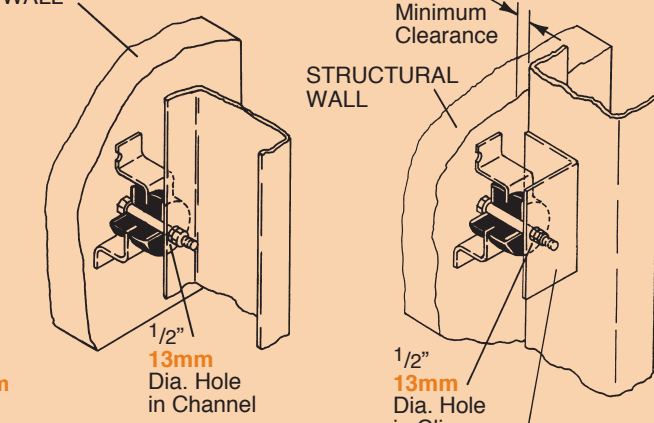
NPS Size	Durometer	Color Code	RATED LOAD		Max Static Defl	
			lbs.	kilos	in	mm
30	30	Black	140	64	0.12	2.8
40	40	Green	240	109	0.12	2.8

NPS Selection Guide - Typical Application

Supports on 16" 400mm centers with a wall height of 96" 2400mm and 4" 100mm studs

NPS Size	Gypsum Board	Approximate Wt.	Weight per Location		
			Sq. Ft. lbs.	Sq. Meter kilos	
30	1/2" 13mm 1 Side	4.2	45	45	21
30	1/2" 13mm 2 Sides	6.7	72	71	32
30	5/8" 16mm 1 Side	4.8	52	51	23
30	5/8" 16mm 2 Sides	7.6	82	81	37
30	3/4" 19mm 1 Side	5.4	58	58	26
30	3/4" 19mm 2 Sides	8.8	95	94	43

STRUCTURAL WALL



STANDARD STEEL STUDDING END
DNBSB Brace with 3/8" 10mm Bolt for Metal Studs

DNBSB WALL BRACES

TYPE DNSB LOAD RATINGS

Type & Size	Rated Axial Restraint & Deflection if Stressed				Maximum Assigned Wall Weight lbs kgs	Minimum Assigned Weight to Establish 10Hz lbs kgs
	Load lbs kgs	Defl in mm	Load lbs kgs	Defl in mm		
DNBSB-A	56 25	0.10 2.5	84 38	0.15 3.8	250 113	50 22.7



MASON INDUSTRIES, INC.

350 Rabro Drive, Hauppauge, NY 11788 • 631/348-0282 • FAX 631/348-0279
2101 W. Crescent Ave., Suite D, Anaheim, CA 92801 • 714/535-2727 • FAX 714/535-5738