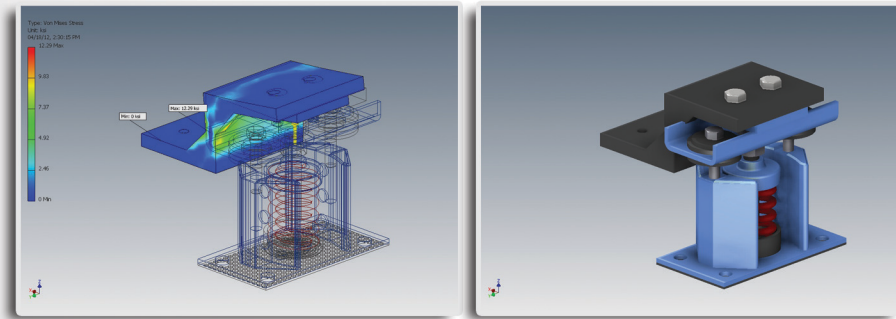


# CUSTOM FABRICATION

Tecoustics makes it easy to find the solutions you need for all of your equipment installations. Our fabrication solutions are cost-effective and tailored specifically for every application. Through consulting and working with our customers, we can expand their product offerings to include 'at extra' components, such as support frames, inertia bases, and seismic Computer Room A/C unit stands. We design these solutions in-house with ease of installation in mind and low turn around time. Instead of integrating our vibration and/or seismic controls to an existing or pre-purchased equipment base, let us coordinate with you to provide the isolation/seismic as well as the support frame. This one point of contact approach not only brings overall costs down, but minimizes on-site or field-fit modifications.

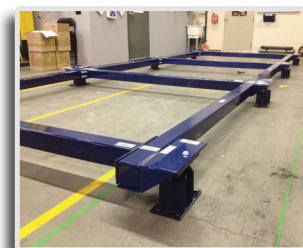
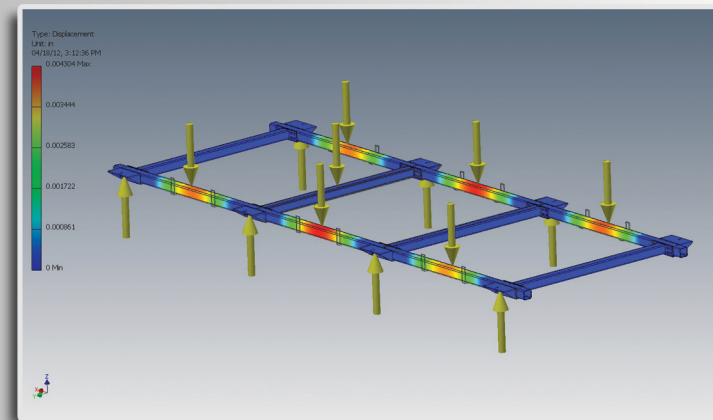
## Custom Brackets & Adapters

Depending on your equipment's factory mounting locations, or site conditions, it may not be possible to install sufficient vibration isolation and/or seismic controls. Tecoustics specializes in offering custom fabricated brackets designed specifically for your equipment. As shown on right -- the design phase of a bolt-on height reduction bracket for an existing Chiller which required seismic isolation.



## Equipment Support Frames

Most long span, heavy, or multi-celled equipment require a support frame of some kind. Tecoustics can an 'equipment-to-structure' solution by designing a custom support frame tailored to the clients needs, as well as the vibration isolation and integrated seismic controls. A custom designed frame ensures proper fit on site with no field modification, a design tested using FEA and computer simulation, as well as minimized materials. Options can include full modularity, outrigger/hoisting brackets, multi-unit support, and finishing options (powder coated, hot dip galvanized, rubberized). As shown on left & below -- a custom modular (bolt together) vibration isolation frame for a large ERV.



- Finite Element Analysis Tools (FEA)
- 3D & 2D submittals - Coordinate with BIM dwgs
- Customizable Designs (Bolt Together, Welded, Custom Colors & Finishes)
- Labour saving installations (test fitted before shipment)
- One point of contact for design, fabrication, vibration & seismic

# PRODUCT INTEGRATION

For several years, Tecoustics has built a reputation offering high-quality and innovative designs to adapt vibration and seismic controls to existing or new equipment. OEM manufacturers save time on design and specification interpretation by allowing Tecoustics to provide a vibration and/or seismic control solution suitable for your project's specifications. We work specifically with the mechanical, electrical and industrial trades to integrate a wide variety of complimentary products to your equipment, including high deflection isolation, seismic snubbers, and flex connectors. You can also view and assemble your equipment in 3D with our products.

## Full Solutions

Equipment manufacturers often struggle to change their design quick enough to meet evolving specifications. In addition to offering a wide range of vibration control and seismic products, Tecoustics also provides full design consultation, specification interpretation and customer service. Whether your specification calls for your equipment to be tuned to a certain natural frequency, or lists a required static deflection, Tecoustics can provide a cost-effective design to integrate the requirements into your existing equipment. Shown on the right -- Pumps are mounted on an integral base with 4" high deflection seismic springs.



## Site Conditions

Site conditions do not always allow for easy adaptation of vibration isolation or seismic controls. Tecoustics specializes in providing a solution tailored to the constraints of the allowable space. Some common examples of site specific constraints would be:

- Not enough height in the room to allow installation of high deflection isolation
- Piping is already routed to equipment, preventing an elevation change to adapt vibration or seismic controls
- Adapting new equipment to existing structural supports

Shown on the left & below -- A custom inertia base for low RPM compressor utilizing high deflection isolation, pull-down brackets and seismic snubbers.



**MECHANICAL & HVAC**  
Chillers | Cooling Towers | Pumps  
Compressors | Boilers | Fans  
Air Handlers | Tanks | Piping

**ELECTRICAL**  
Generators | Transformers | UPS  
Switchgears | Battery Banks |  
Panels | Load Banks | Conduit

VIBRATION ISOLATION | SEISMIC CONTROLS | INTEGRAL FRAMES



engineering@tecoustics.com

www.tecoustics.com

**TECOUSTICS**  
VIBRATION CONTROL & SEISMIC RESTRAINT